

高效挤压阀 RV型

HIGH PERFORMANCE PINCH VALVES TYPE RV



特性

公称通径: DN 25 - 1200 mm
结构长度: DIN, ASME, ISO 工作压力: 1 - 40 bar
开 / 关 阀门调节阀 (电动 / 电动气动) 截止阀

设计特征

完全畅通, 两面均密封, 压力损失低, 无结痂, 维护简易, 内置法兰密封

工业范围

造纸和污水处理, 化工, 色素和填充剂生产, 玻璃和陶瓷工业, 气动输送, 灰尘, 飞灰...

PROPERTIES

Dimension: DN 25 - 1200 mm
Installation length: DIN, ASME, ISO
Media pressure: 1 - 40 bar
Open/close valves
Control valves (electrical/electro pneumatical)
Stop valves

DESIGN FEATURES

Full passage
Both sides leak-tight
Low pressure loss
No accretion
Easy maintenance
Integrated flange sealing

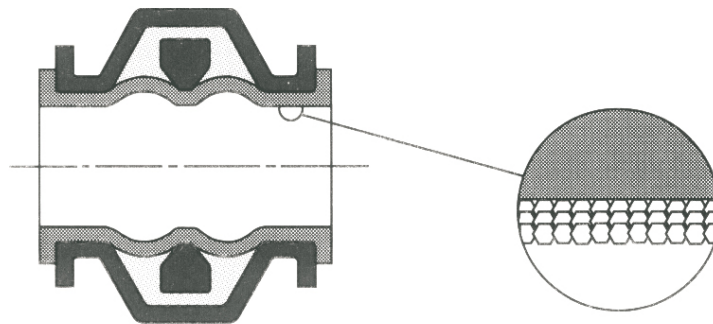
BRANCHES OF INDUSTRY

Paper and pulp, waste water
Chemical industry
Pigments and fillers
Glass and ceramics industry
Pneumatic conveying systems
Ash, fly ash...

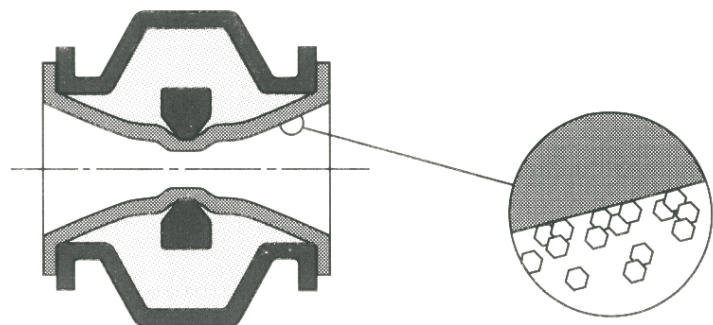
理想的功能

SMOOTH FUNCTION

阀门已打开
VALVE OPEN



阀门被关闭 VALVE BEING CLOSED



优点

- 无阻塞
- 在结痂刚开始形成时，阀门的开关动作即可将结痂从软管壁剥脱，从而被流动的介质冲走。
- 根据DIN、ISO、ASME标准的不同结构长度

ADVANTAGES

- No plugging
- beginning incrustations are released by opening and closing from the wall of the sleeve and removed by the flowing medium
- Various installation lengths acc. to DIN, ISO, ASME

保留技术更改的权利 / technical details subject to change without notice.

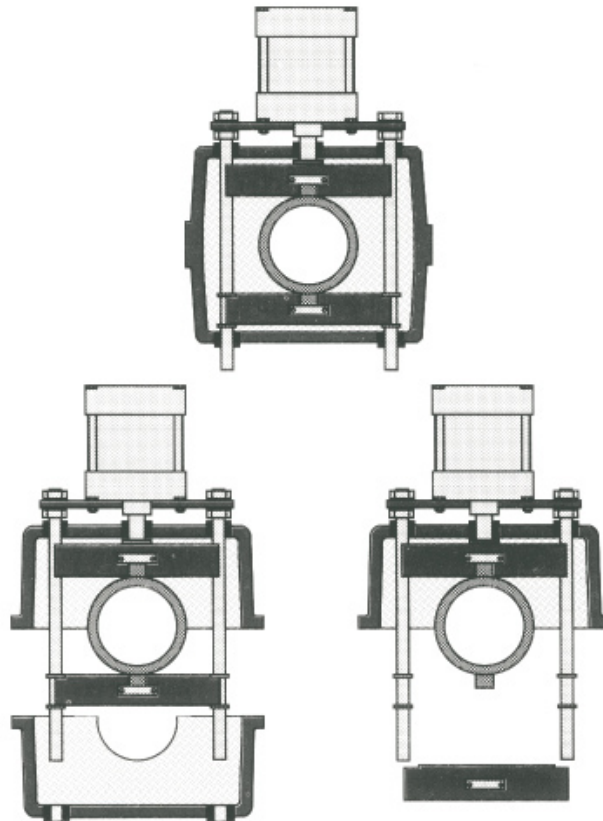
AKO Armaturen & Separations GmbH

D-65468 Trebur-Astheim • Adam-Opel-Str. 5 • 电话: +49 (0) 61 47-9159-0 • 传真: +49 (0) 61 47-9159-59

电子信箱: ako@ako-armaturen.de • Web: www.jiaguanfa.cn

简便的维护

EASY MAINTENANCE



MANSCHETTENAUSTAUSCH

- 通过松开阀门下部分（连接螺栓）即可简易地更换衬套。
- 更换衬套时无需将阀门从管道中拆出，即可在现场更换。
- 无需采用特殊工具，也无需对密封面进行处理（标准结构）。

SLEEVE EXCHANGE

- Sleeve can be changed easily by loosening the lower valve body (binding screws)
- It can be done directly on the location without to get the armature out of the pipe.
- No special tools and no preparation of sealing surface required (basic version).

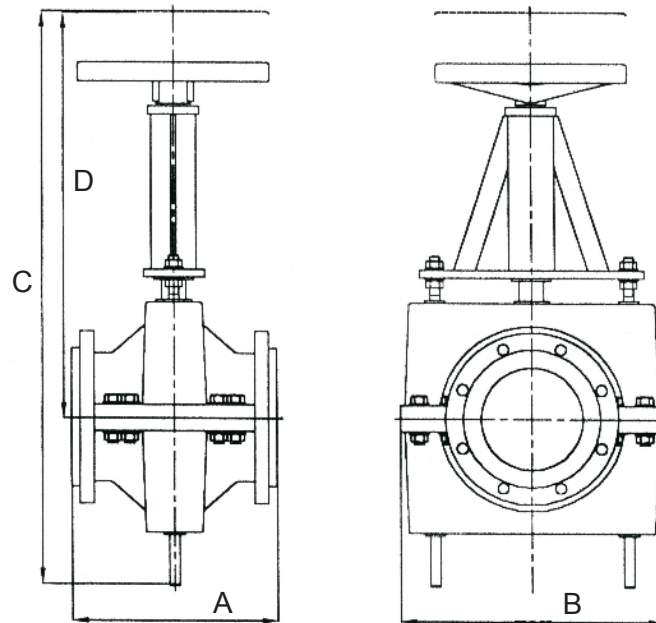
保留技术更改的权利 / technical details subject to change without notice.

AKO Armaturen & Separations GmbH

D-65468 Trebur-Astheim • Adam-Opel-Str. 5 • 电话: +49 (0) 61 47-9159-0 • 传真: +49 (0) 61 47-9159-59
电子信箱: ako@ako-armaturen.de • Web: www.jiaguanfa.cn

手动操纵挤压阀 RV型

HANDWHEEL PINCH VALVES TYPE RV



DN	A	B	C	D
25	127	182	369	268
32	140	195	394	282
40	165	205	417	299
50	178	242	476	345
65	190	248	511	366
80	203	282	561	398
100	300	316	690	489
125	325	342	785	558
150	350	400	923	658
200	400	516	1131	799
250	450	580	1280	890
300	500	720	1480	1030

- 表格中包括标准尺寸。可能有根据设计条件的更改。
- 关于DN 350至DN 1000以及其他型号请和我们洽询。

- Standard dimensions shown in table above. Changes possible depending on valve configurations.
- DN 350 up to DN 1000 and other configurations upon request.

保留技术更改的权利 / technical details subject to change without notice.

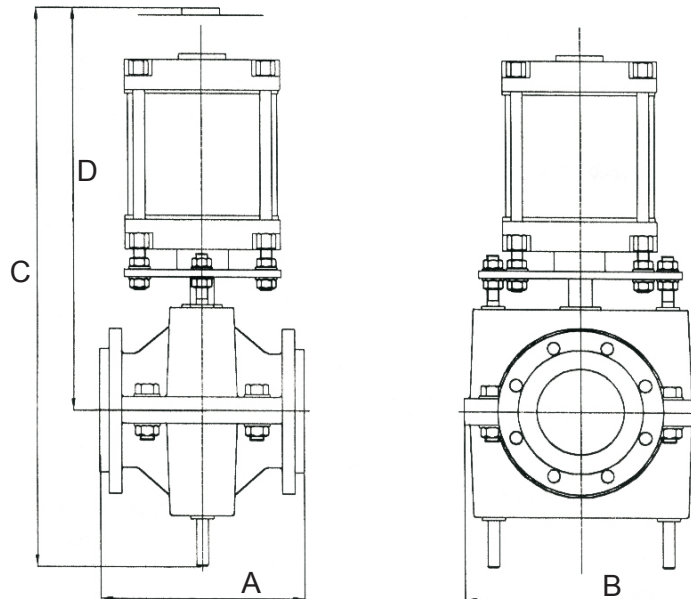
AKO Armaturen & Separations GmbH

D-65468 Trebur-Astheim • Adam-Opel-Str. 5 • 电话: +49 (0) 61 47-9159-0 • 传真: +49 (0) 61 47-9159-59

电子信箱: ako@ako-armaturen.de • Web: www.jiaguanfa.cn

气动挤压阀 RV型

AIR OPERATED PINCH VALVES TYPE RV



DN	A	B	C	D
25	127	182	415	313
32	140	195	438	325
40	165	205	469	350
50	178	242	543	412
65	190	248	586	443
80	203	282	603	439
100	300	316	737	532
125	325	342	730	537
150	350	400	958	698
200	400	516	1263	932
250	450	580	1680	1308
300	500	720	2141	1699

- 表格中包括标准尺寸。可能有根据设计条件的更改。DN 350至DN 1000以及其他结构请和我们洽询。
- 操纵阀门的最低控制压力为6 bar，需要其他压力请和我们洽询。

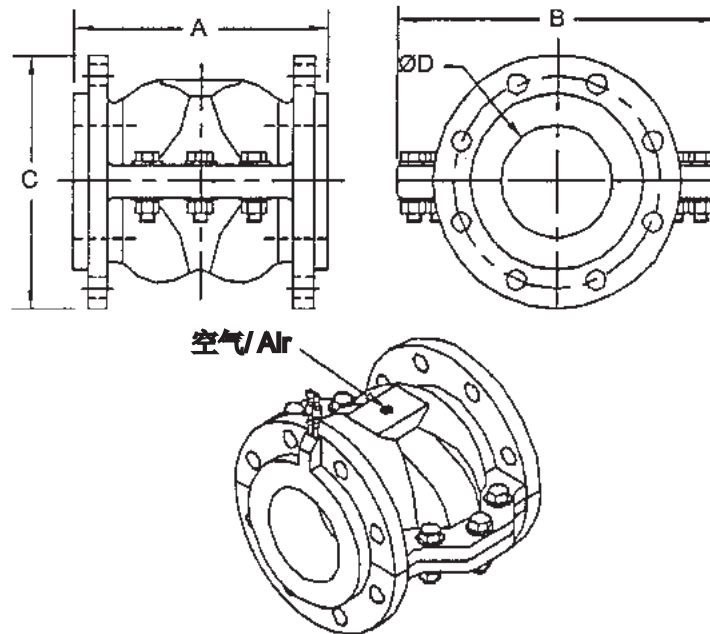
- Standard dimensions shown in table above. Changes possible depending on valve configurations.
- DN 350 up to DN 1000 and other configurations upon request.
- Min. control pressure to operate the valve = 6 bar, other pressures upon request.

AKO Armaturen & Separations GmbH

D-65468 Trebur-Astheim • Adam-Opel-Str. 5 • 电话: +49 (0) 61 47-9159-0 • 传真: +49 (0) 61 47-9159-59
 电子信箱: ako@ako-armaturen.de • Web: www.jiaguanfa.cn

气动挤压阀 RVA型

AIR OPERATED PINCH VALVES TYPE RVA



DN	A	B	C	ØD
25	128	128	115	25
40	165	150	150	40
50	178	183	165	50
65	190	194	185	65
80	203	258	200	80
100	229	295	220	100
125	254	312	250	125
150	350	385	285	150
200	457	484	340	200
250	533	618	395	250
300	610	718	460	300
350	686	681	709	350

- 阀门在直接供应压缩空气 / 液体的情况下关闭壳体中（压力差 Δp 2-3 bar）。
- By using air/fluid (differential pressure Δp 2-3 bar) supplied to the valve body the valve will be closed.

保留技术更改的权利 / technical details subject to change without notice.

AKO Armaturen & Separations GmbH

D-65468 Trebur-Astheim • Adam-Opel-Str. 5 • 电话: +49 (0) 61 47-9159-0 • 传真: +49 (0) 61 47-9159-59

电子信箱: ako@ako-armaturen.de • Web: www.jiaguanfa.cn