

新！

控制与安全

New!

Control with safety



机械管式夹管阀 V Z 系列

Mechanical Pinch Valve Type AKO VZ



手动
Manual operation



电动
Electro-mechanical operation

▲ 新研制的软管式夹管阀为全放式无阻通道结构。用于关闭腐蚀性、纤维性、多孔性以及粘稠性介质，例如颗粒状、浆及悬浮状体。

▲ The newly developed hose pinch valve with true-clear bore is used for shutting off abrasive, fibrous, porous and viscous media, such as granules, sludge and suspensions.

采用软管式封闭型设计，确保了阀门在最大可能操作过程中的安全性。通过机械式/电子式行程显示器可监测行程位置。

Thanks to its closed construction, the valve ensures the maximum possible reliability during operation. The set positions can be optionally checked by means of mechanical or electrical position displays.

两种驱动方式：

- 手轮（手动）操作
- 电动旋转器（设定/调节器）

Two operating variants are available:

- Manual operation by handwheel
- Electro-mechanical rotary actuator (setting or regulating actuator)

安全结构：

- 阀运行时执行器无上下动作
- 内部运动部件完全封闭，外部无显露
- 封闭式阀体

Safety design:

- no up and down movements of drive during valve operation
- internal moving parts are fully enclosed with no movement on the outside of the valve.
- enclosed body

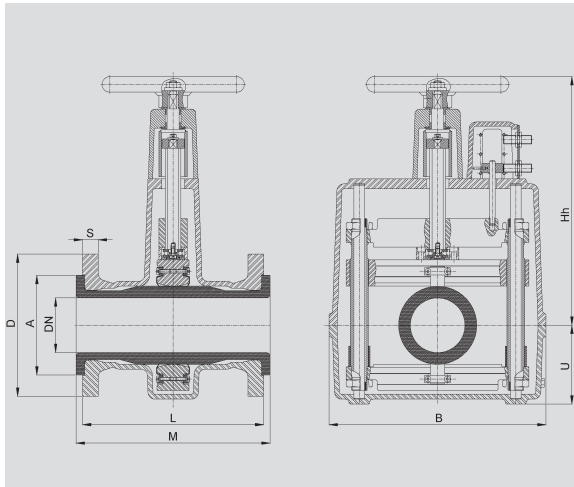
特殊加强型内衬套管延长了阀门的使用寿命并提高了阀门的精确控制。
内衬套管材料有多种选择性，我们高兴为您咨询。

The special fabric-reinforced sleeve with positive opening straps ensures long working life and precise control.

Various sleeve materials are available - we will be glad to advise you.

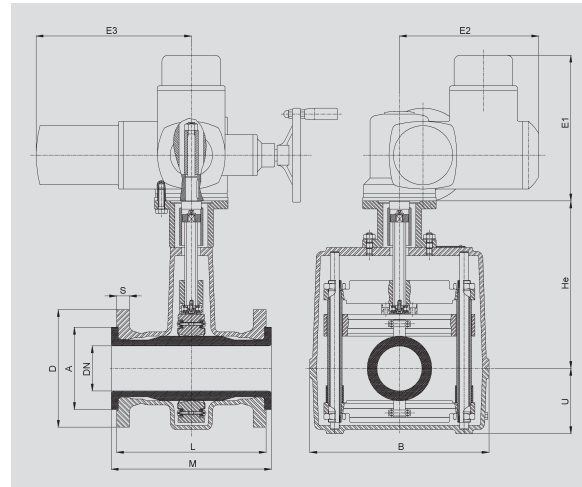
手动

Manual operation



电动

Electro-mechanical operation



尺寸 / dimensions

DN (ø mm)	A (ø mm)	B (mm)	D (ø mm)	E1 (mm)	E2 (mm)	E3 (mm)	He (mm)	Hh (mm)	L (mm)	M (mm)	U (mm)	S (mm)
80	135	310	205	270	240	265	285	350	255	267	110	21

法兰连接 / flange connection		运行压力 / operating pressure		重量 / weight	
螺栓孔 / drilling template	孔中心间距 / bolt circle			手动 / handwheel	电动 (无执行器) / electr. actuator (without actuator)
(stk)	mm	DIN PN10/16 (ø mm)	ANSI 150 (ø mm)	kg	kg
4	18	160	152,4	19	18

工业领域:

- 气力输送系统
- 水泥/筒仓科
- 颜料和粉尘颗粒
- 陶瓷/玻璃/塑料
- 污水排放
- 大理石, 花岗岩
- 制革业
- 虹吸系统
- 发电厂

Industrial areas:

- Pneumatic conveying systems
- Cement/silo branch
- Pigments and granulates
- Ceramic/glass/plastic industry
- Sewage water industry
- Marble and granite industry
- Tanneries
- Extraction systems
- Power stations

以英文版为准。中文版仅供参考，保留修改权

Technical changes kept in reserve.

AKO Armaturen & Separations GmbH

D-65468 Trebur-Astheim • Adam-Opel-Str. 5 • Telefon: +49 (0) 61 47-9159-0 • Fax: +49 (0) 61 47-9159-59
E-Mail: ako@ako-armaturen.de • Web: www.jiaguanfa.cn

以英文版为准，此中文译文仅供参考。