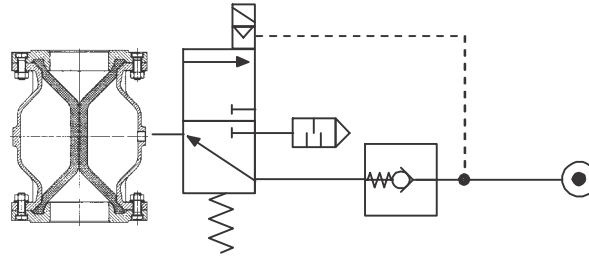


安全控制装置型号SS

Safety Arrangement type SS



描述:

安全控制装置是控制气动夹管阀在气源/电源供应中断时保持在安全关闭的状态。

在气源供应中断时，气动夹管阀不能通过电磁阀（电动式 / 机械式）打开。在电源供应中断时，可借助电磁阀的手动辅助操作关闭和打开夹管阀。

所用电磁阀通过密封性检测，可较长时间地保证关闭压力的稳定性。在没有气源供应时，气动夹管阀保持在关闭状态时间的长短取决于关闭压力稳定性，同时也受夹管阀空气量和密封性的影响。

Description:

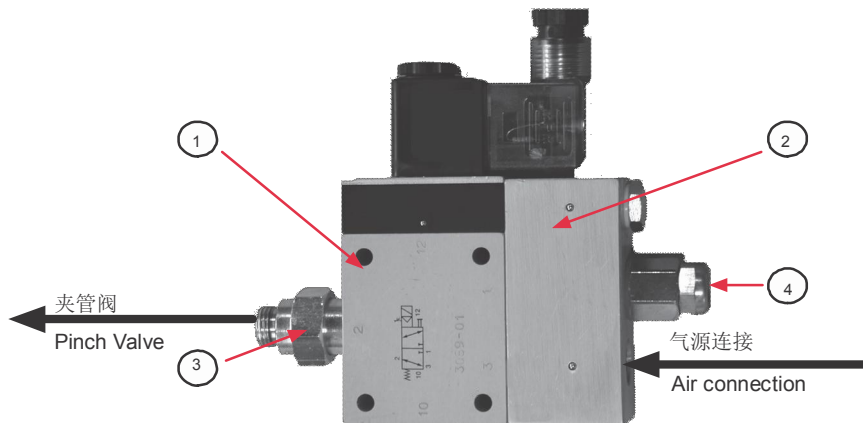
By using a protection circuit a closed pneumatic pinch valve will stay closed if the compressed air/power supply fails.

If the compressed air fails, the pneumatic pinch valve cannot be opened by the solenoid valve (electrically/mechanically).

If there is a power cut, the pinch valve can be opened and closed by means of a manual override.

The used solenoid valves are checked especially for tightness, thus guaranteeing the longest blow-down pressure stability possible.

The blow-down pressure stability, which is affected by time in terms of how long a pneumatic pinch valve will stay closed without a compressed air supply, is still dependent on the volume of air and a pneumatic pinch valve's tightness.



组成:

- 1 套电磁阀和液晶显示插头带电极保护 (序号1)
- 1 套 控制单元 (序号2)
- 1 套 G1/4" 螺纹连接带O型密封圈 (序号3)
- 1 件消声器 (序号4)
- 小部件

Consisting of:

- 1 x Solenoid Valve with light connector and protective circuit (pos.1)
- 1 x Control block (pos.2)
- 1 x Fitting G 1/4" with O-ring (pos.3)
- 1 x Silencer (pos. 4)
- Small parts